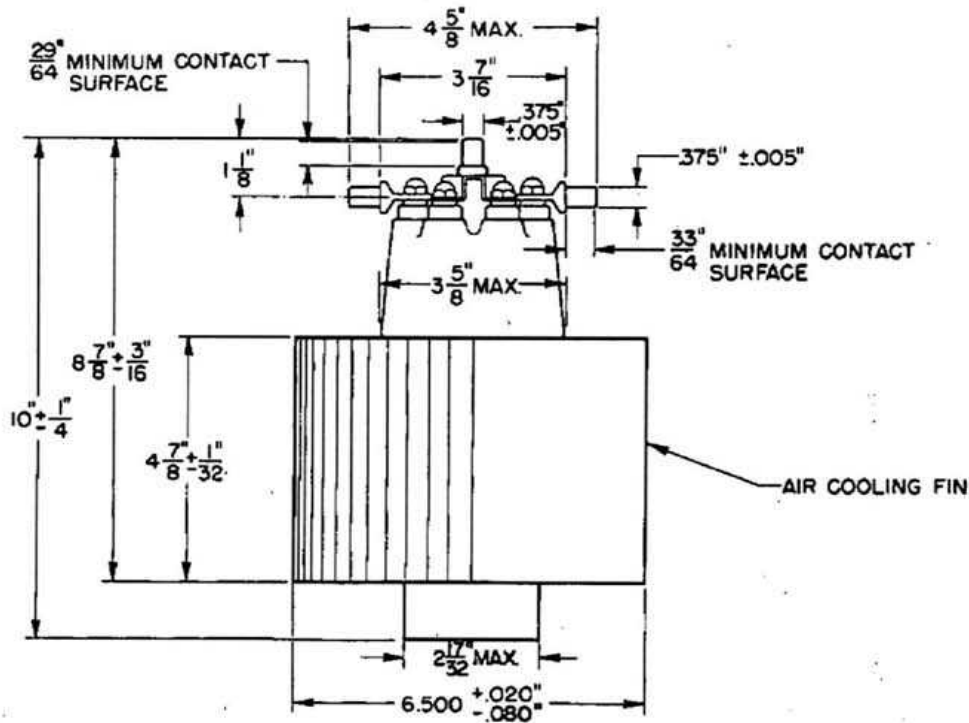
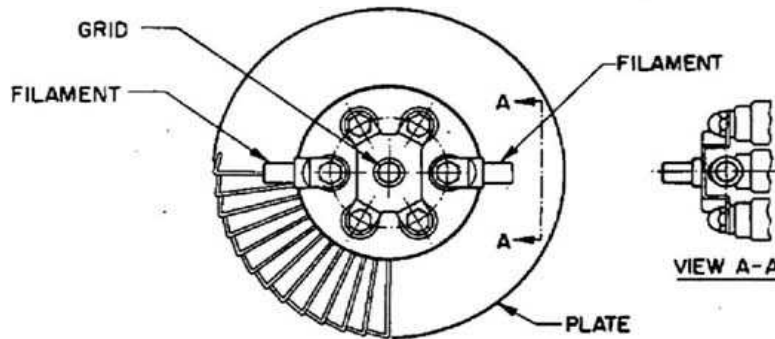


ADVANCE ELECTRON TUBE DATA SHEET

WESTERN ELECTRIC 5542 ELECTRON TUBE

5542
TRIODE
AIR-COOLED



DESCRIPTION

The 5542 is a three-electrode tube designed for AM service as a modulator, amplifier or oscillator. The anode is forced-air cooled and capable of dissipating 5 kilowatts. The cathode is a thoriated tungsten filament. Maximum ratings apply up to 28 megacycles.

Western Electric

ELECTRICAL DATA - GENERAL

Filament Voltage	7.5 volts
Filament Current	57 amperes
Amplification Factor	28
Grid - Plate Transconductance	
at $E_b = 1800$ volts; $I_b = 2.75$ amperes	20,000 micromhos
Interelectrode Capacitances	
Grid - Plate	25.0 μ f
Grid - Filament	20.0 μ f
Plate - Filament (maximum)	1.5 μ f

MECHANICAL DATA

Mounting Position	Vertical, plate end down
Type of Cooling	Forced-air
Air Flow (minimum)	300 c.f.m.
Pressure Drop, Inches of Water (Static)	0.6 inch
Net Weight, Approximate	14 pounds

MAXIMUM RATINGS, Absolute Values

D-C Plate Voltage	12500 volts
D-C Grid Voltage	-1500 volts
D-C Plate Current	2.75 amperes
D-C Grid Current	300 milliamperes
Plate Input	25 kilowatts
Plate Dissipation	5 kilowatts

NOTE: THIS SHEET DOES NOT IMPLY COMMERCIAL AVAILABILITY OF THE TUBE