

GENERAL DESCRIPTION

Ultra-high frequency 1.4 volt triode oscillator, R. F. amplifier, detector, for portable receivers and transmitters,

Heater	
Voltage	1.4 volts
Current	.12 amp.
Maximum Overall Length	2-7/16"
Maximum Overall Diameter	1-5/16"
Bulb	T-9
Base	Octal 5 pin

Approx. Inter-electrode Cap.  
 Cgp = 1.7 mmf.  
 Cgf = 1.2 mmf.  
 Cpf = 0.6 mmf.

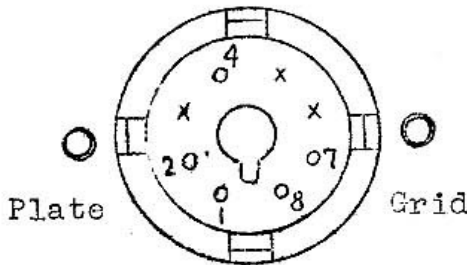
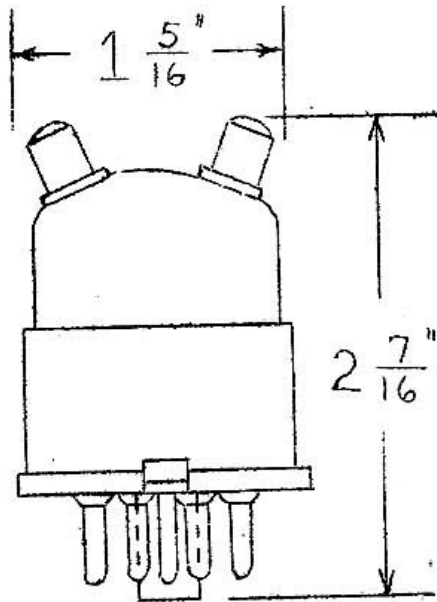
Amplification Factor . . . . .	20
Mutual Conductance . . . . .	1000 umhos
Plate Resistance . . . . .	20000 ohms

R. F. Power Amplifier & Oscillator  
Class C\*

DC Plate Voltage . . . . .	180 volts max.
DC Plate Current . . . . .	15 ma. max.
DC Grid Current . . . . .	3 ma. max.
RF Power Output *. . . . .	2.0 approx. watts

Like the HY615, the HY114 has plate and grid leads brought out to caps in the dome of the bulb. Except for the reduced power rating, the HY114 is equivalent to the HY615. It is, therefore, an ideal tube for portables and transceivers.

\* At 240 megacycles



Bottom View

- 1 - Base Shell
- 2 - Filament +
- 4 - No Conn.
- 7 - Filament -
- 8 - No Conn.
- Cap - Grid
- Cap - Plate

Hytronic Laboratories Division, Hytron Corporation, Salem, Mass.

CONTINUOUS-DUTY RATING  
USED IN THIS BULLETIN

AVERAGE PLATE CHARACTERISTICS  
 HYTRONIC TYPE HY114  $E_f = 1.4^v$

