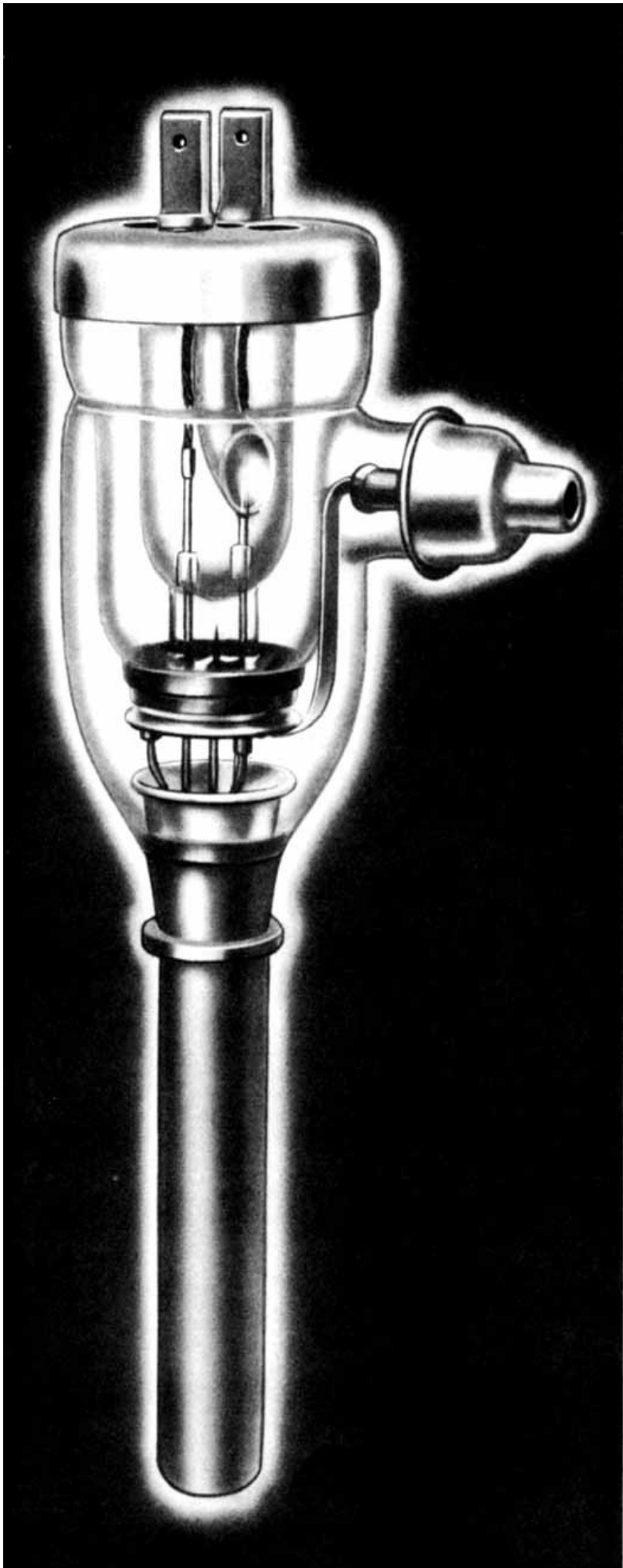


FEDERAL

F-328-A TRANSMITTING TUBE



TECHNICAL DATA

Main Use	R-F Power Amplifier, Class B Modulator
Number of Electrodes	3
Filament Voltage	21.5 volts
Filament Current	41 amperes
Filament Type	Tungsten
Thermionic Emission	7.5 amperes
Average Characteristic Values calculated at $E_b = 5000$, $I_b = 0.9$ amperes, $E_f = 21.5$ volts.	
Grid Voltage (approximate)	-100 volts
Amplification Factor	16
Mutual Conductance	6500 micromhos
Plate Resistance	2500 ohms
Approximate Direct Inter-electrode Capacitances	
Plate to Grid	28 mmf.
Grid to Filament	20 mmf.
Plate to Filament	3 mmf.
Type of Cooling	Water
Water Jacket	Standard or Federal Type 1006-A

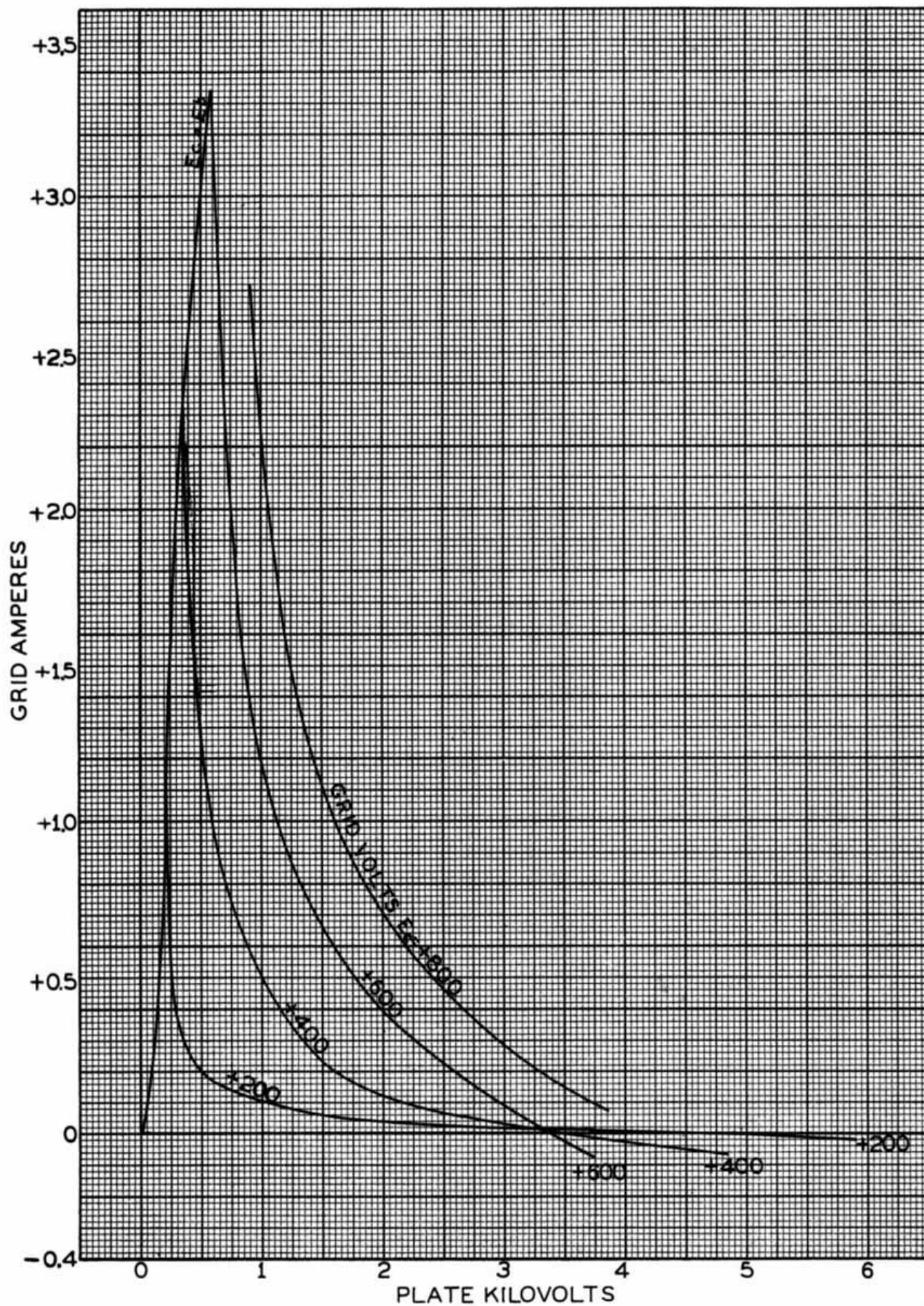
The information above and in the following pages by no means represents exact conditions of operation to be imposed for any particular situation. Since tubes are used under many widely different conditions the manufacturer will gladly furnish information regarding characteristics for design purposes.

Manufactured by

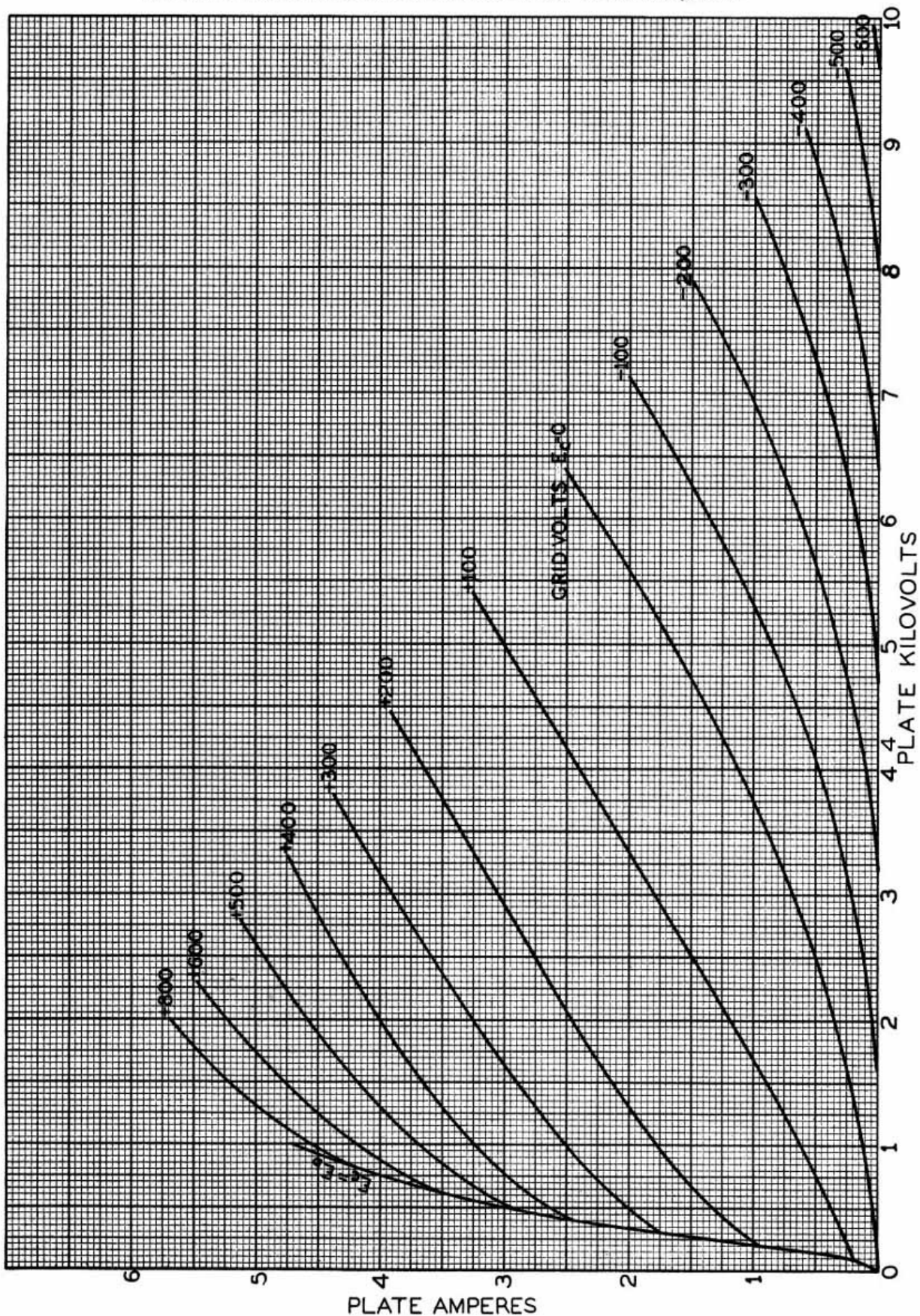
FEDERAL TELEGRAPH CO.

200 Mt. Pleasant Avenue Newark, N. J., U. S. A.

AVERAGE GRID CHARACTERISTICS F-328-A Transmitting Tube



AVERAGE PLATE CHARACTERISTICS F-328-A Transmitting Tube



Maximum Ratings

F-328-A Transmitting Tube

For maximum frequency of 3.0 megacycles

CLASS B AUDIO AMPLIFIER OR MODULATOR

D-C Plate Voltage	8000 volts
Max. Signal D-C Plate Current	1.0 ampere
Max. Signal Plate Input	8000 watts
Plate Dissipation	4000 watts

CLASS B R-F POWER AMPLIFIER—TELEPHONY

(Carrier conditions per tube for use with modulation factor up to 1.0)

D-C Plate Voltage	8000 volts
D-C Plate Current	1.0 ampere
R-F Grid Current	30 amperes
Plate Input	8000 watts
Plate Dissipation	5000 watts

CLASS C R-F POWER AMPLIFIER—TELEPHONY—PLATE MODULATED

(Carrier conditions per tube for use with modulation factor up to 1.0)

D-C Plate Voltage	5000 volts
D-C Plate Current	1.1 amperes
D-C Grid Current	0.20 ampere
R-F Grid Current	30 amperes
Plate Input	5000 watts
Plate Dissipation	3500 watts

Typical Operation Data

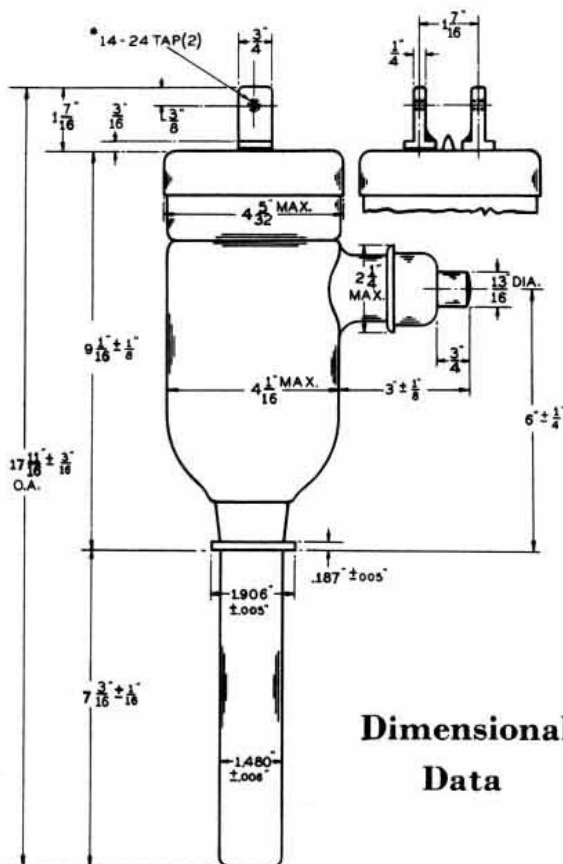
F-328-A Transmitting Tube

CLASS B R-F POWER AMPLIFIER

(Carrier conditions per tube for use with modulation factor up to 1.0)

Filament Voltage	21.5 volts
D-C Plate Voltage	6000 volts
D-C Grid Voltage	—350 volts (approx.)
Peak R-F Grid Input Voltage	420 volts (approx.)
D-C Plate Current	0.540 ampere
D-C Grid Current	0.002 ampere
Driving Power *	83 watts (approx.)
Load Impedance	2950 ohms
Power Output	1060 watts (approx.)

* At crest of A-F cycle



Dimensional
Data