

EITE *Sylvania* Sylvania, INC.
 3000 W. 10th St., SANTA ANA, CALIFORNIA

527

HIGH-MU TRIODE



GENERAL CHARACTERISTICS
(TENTATIVE)

Filament	Thoriated Tungsten
Voltage	5.5 volts
Current	135 amperes
Amplification Factor (Average)	38
Plate Dissipation (Max.)	300 watts
Peak Filament Emission (Min.) $e_b = e_c = 2500$ v.	100 amperes
Maximum Plate Voltage	20.0 kilovolts
Direct Interelectrode Capacitances (Avg.)	
Grid-Plate	12 mmfd.
Grid-Filament	19 mmfd.
Plate-Filament	1.4 mmfd.
Maximum Overall Dimensions	
Length	13 inches
Diameter	2-5/8 inches

EITEL-McCULLOUGH, INC.
SAN BRUNO CALIFORNIA

527 High-Mu Triode

GENERAL CHARACTERISTICS

Filament	Thoriated Tungster
Voltage	5.5 Volts
Current	135 Amperes
Amplification Factor (Average)	38
Plate Dissipation (Max.)	300 Watts
Grid Dissipation (Max.)	60 Watts
Peak Filament Emission (Min.) $e_b=e_c=2500$ v.	100 Amperes
Maximum Plate Voltage	20.0 Kilovolts
Direct Interelectrode Capacitances (Average)	
Grid-Plate	12 Mmfd.
Grid-Filament	19 Mmfd.
Plate-Filament	1.4 Mmfd.
Maximum Overall Dimensions	
Length	13 Inches
Diameter	2-5/8 Inches
Forced Air Cooling	
Through Base Pin	2 CFM
Across Bulb (Min.)	
TYPICAL OPERATION - RF PULSED OSCILLATOR - 4 Tubes	
Filament Voltage	5.5 Volts
Filament Current	135 Amperes
Plate Voltage	18,000 Volts
Duty Cycle	0.09 Per Cent
Average DC Plate Current	160 Milliampere
Average DC Grid Current	40 Milliampere
Grid Impedance	50 Ohms
Average Power Output	900 Watts
Peak RF Power Output	1000 Kilowatts

June 18, 1948

(TENTATIVE)

MIL-E-1/1078B(NAVY)

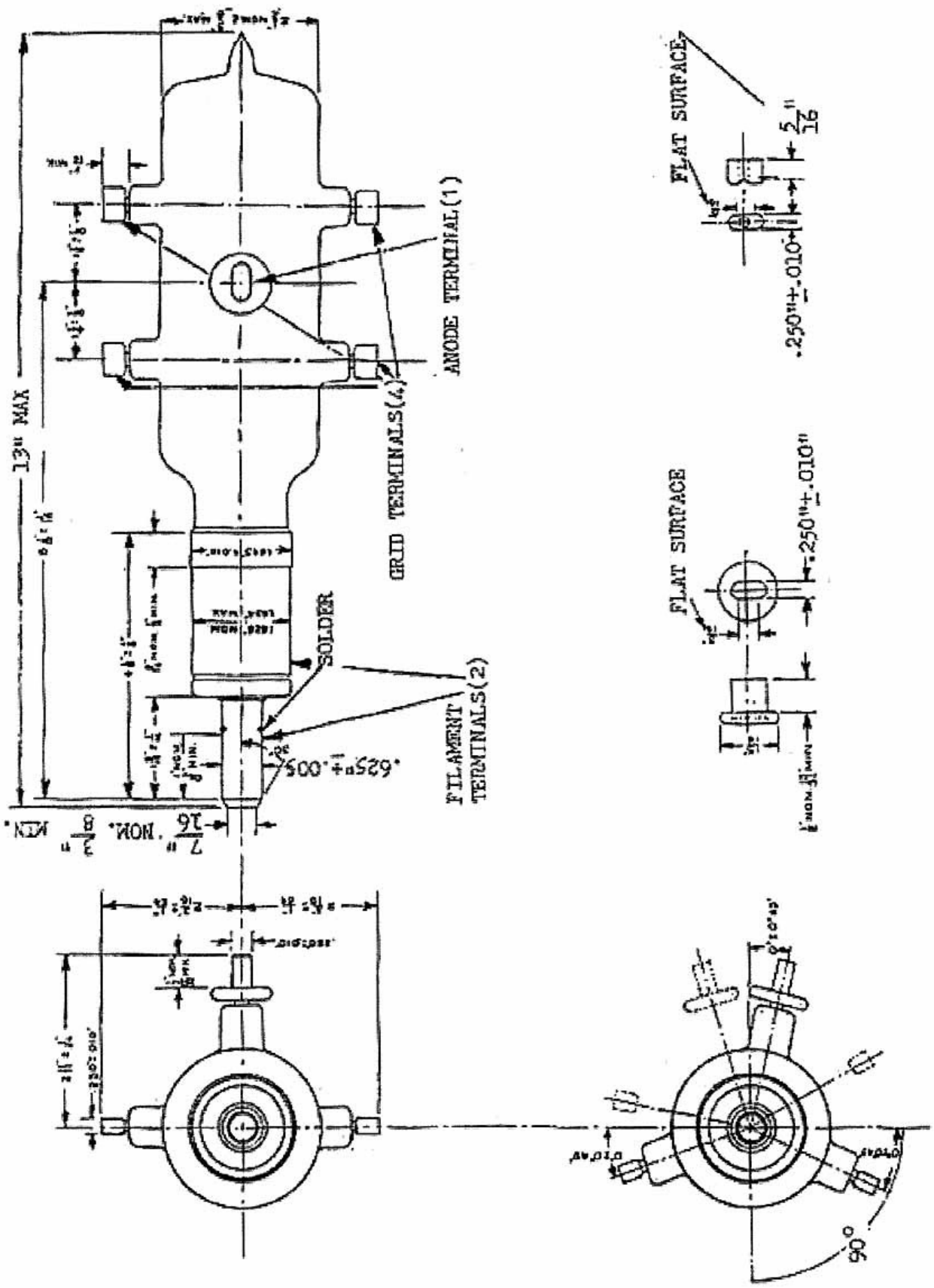
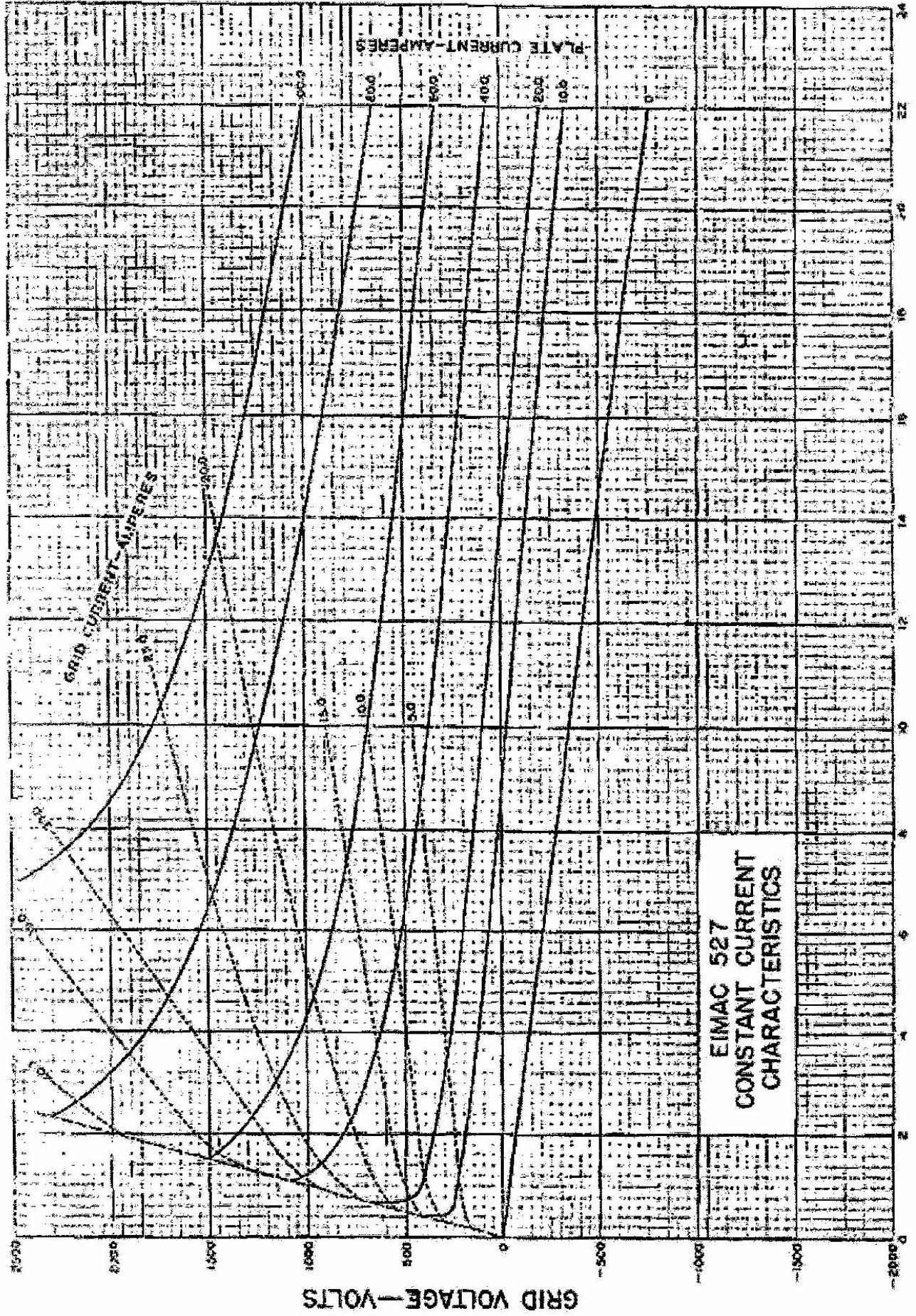


Figure 1 - Dimensions of tube type 527A.

AUXILIARY BOTTOM VIEW SHOWING EXAGGERATED ANGULAR TOLERANCES



**EIMAC 527
CONSTANT CURRENT
CHARACTERISTICS**

PLATE VOLTAGE — KILOVOLTS

GRID VOLTAGE — VOLTS

PLATE CURRENT — AMPERES

GRID CURRENT — AMPERES