

Eimac
EITEL-McCULLOUGH, INC.
 SAN BRUNO, CALIFORNIA

4-125A

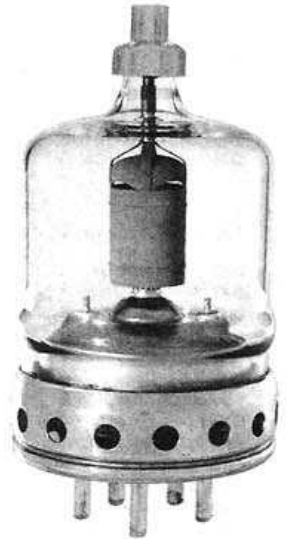
(RMA 4D21)

POWER TETRODE

•
 MODULATOR
 OSCILLATOR
 AMPLIFIER

The Eimac 4-125A is a power tetrode having a maximum plate dissipation rating of 125 watts, and is intended for use as an amplifier, oscillator or modulator. Due to its high power sensitivity, it will deliver relatively large output with low driving power. The low grid-plate capacitance of the 4-125A makes neutralization unnecessary in most cases, and simplifies it in other cases. The compact construction of this tube permits its operation at full input up to frequencies as high as 120 Mc.

Cooling of the 4-125A is accomplished by radiation from the plate, which operates at a visible red color at maximum dissipation, and by air circulation through the base and around the envelope.



GENERAL CHARACTERISTICS

ELECTRICAL

Filament: Thoriated tungsten	
Voltage - - - - -	5.0 volts
Current - - - - -	6.5 amperes
Grid-Screen Amplification Factor (Average) - - - - -	6.2
Direct Interelectrode Capacitances (Average)	
Grid-Plate (without shielding, base grounded) - - - - -	0.05 $\mu\text{fd.}$
Input - - - - -	10.8 $\mu\text{fd.}$
Output - - - - -	3.1 $\mu\text{fd.}$
Transconductance ($i_b=50$ ma., $E_b=2500$ v., $E_{c2}=400$ v.) - - - - -	2450 μmhos

MECHANICAL

Base - - - - -	5-pin metal shell, No. 5008B
Basing - - - - -	RMA type 5BK
Cooling - - - - -	Radiation and forced air
Maximum Overall Dimensions:	
Length - - - - -	5.69 inches
Diameter - - - - -	2.72 inches
Net Weight - - - - -	6.5 ounces
Shipping Weight (Average) - - - - -	1.5 pounds

IF IT IS DESIRED TO OPERATE THIS TUBE UNDER CONDITIONS WIDELY DIFFERENT THAN THOSE GIVEN UNDER "TYPICAL OPERATION," AND WHICH POSSIBLY EXCEED MAXIMUM RATINGS, WRITE EITEL-McCULLOUGH, INC., FOR INFORMATION AND RECOMMENDATIONS.

RADIO FREQUENCY POWER AMPLIFIER AND OSCILLATOR

Class-C Telephony or FM Telephony (Key-down conditions, 1 tube)

MAXIMUM RATINGS

D-C PLATE VOLTAGE ¹	-	-	-	-	-	3000 MAX. VOLTS
D-C SCREEN VOLTAGE	-	-	-	-	-	400 MAX. VOLTS
D-C GRID VOLTAGE	-	-	-	-	-	-500 MAX. VOLTS
D-C PLATE CURRENT	-	-	-	-	-	225 MAX. MA.
PLATE DISSIPATION	-	-	-	-	-	125 MAX. WATTS
SCREEN DISSIPATION	-	-	-	-	-	20 MAX. WATTS
GRID DISSIPATION	-	-	-	-	-	5 MAX. WATTS

TYPICAL OPERATION (Frequencies below 120 Mc.)

D-C Plate Voltage	-	-	-	-	2000	2500	3000	volts
D-C Screen Voltage	-	-	-	-	350	350	350	volts
D-C Grid Voltage	-	-	-	-	-100	-150	-150	volts
D-C Plate Current	-	-	-	-	200	200	167	ma.
D-C Screen Current	-	-	-	-	50	40	30	ma.
D-C Grid Current	-	-	-	-	12	12	9	ma.
Screen Dissipation	-	-	-	-	18	14	10.5	watts
Grid Dissipation	-	-	-	-	1.6	2	1.2	watts
Peak R-F Grid Input Voltage (approx.)	-	-	-	-	230	320	280	volts
Driving Power (approx.) ²	-	-	-	-	2.8	3.8	2.5	watts
Plate Power Input	-	-	-	-	400	500	500	watts
Plate Dissipation	-	-	-	-	125	125	125	watts
Plate Power Output	-	-	-	-	275	375	375	watts

AUDIO FREQUENCY POWER AMPLIFIER AND MODULATOR

Class-AB₂ (Sinusoidal wave, two tubes unless otherwise specified)

MAXIMUM RATINGS

D-C PLATE VOLTAGE	-	-	-	-	-	3000 MAX. VOLTS
D-C SCREEN VOLTAGE	-	-	-	-	-	600 MAX. VOLTS
MAX-SIGNAL D-C PLATE CURRENT, PER TUBE	-	-	-	-	-	225 MAX. MA.
PLATE DISSIPATION, PER TUBE	-	-	-	-	-	125 MAX. WATTS
SCREEN DISSIPATION, PER TUBE	-	-	-	-	-	20 MAX. WATTS

TYPICAL OPERATION

D-C Plate Voltage	-	-	-	-	1500	2000	2500	volts
D-C Screen Voltage	-	-	-	-	600	600	600	volts
D-C Grid Voltage ²	-	-	-	-	-90	-94	-96	volts
Zero-Signal D-C Plate Current	-	-	-	-	60	50	50	ma.
Max-Signal D-C Plate Current	-	-	-	-	222	240	232	ma.
Zero-Signal D-C Screen Current	-	-	-	-	-1.0	-0.5	-0.3	ma.
Max-Signal D-C Screen Current	-	-	-	-	17	6.4	8.5	ma.
Effective Load, Plate-to-Plate	-	-	-	-	10,200	13,400	20,300	ohms
Peak A-F Grid Input Voltage (per tube)	-	-	-	-	90	94	96	volts
Driving Power	-	-	-	-	0	0	0	watt
Max-Signal Plate Dissipation (per tube)	-	-	-	-	87.5	125	125	watts
Max-Signal Plate Power Output	-	-	-	-	158	230	330	watts
Total Harmonic Distortion	-	-	-	-	5	2	2.6	per ct.

¹ Above 120 Mc. the maximum plate voltage rating depends upon frequency see page 8.

► Indicates change from sheet dated 11-1-46

HIGH-LEVEL MODULATED RADIO FREQUENCY AMPLIFIER

Class-C Telephony (Carrier conditions unless otherwise specified, 1 tube)

MAXIMUM RATINGS

D-C PLATE VOLTAGE ¹	-	-	-	-	-	2500 MAX. VOLTS
D-C SCREEN VOLTAGE	-	-	-	-	-	400 MAX. VOLTS
D-C GRID VOLTAGE	-	-	-	-	-	-500 MAX. VOLTS
D-C PLATE CURRENT	-	-	-	-	-	200 MAX. MA.
PLATE DISSIPATION	-	-	-	-	-	85 MAX. WATTS
SCREEN DISSIPATION	-	-	-	-	-	20 MAX. WATTS
GRID DISSIPATION	-	-	-	-	-	5 MAX. WATTS

TYPICAL OPERATION (Frequencies below 120 Mc.)

D-C Plate Voltage	-	-	-	-	-	2000	2500	volts
D-C Screen Voltage	-	-	-	-	-	350	350	volts
D-C Grid Voltage	-	-	-	-	-	-220	-210	volts
D-C Plate Current	-	-	-	-	-	150	152	ma.
D-C Screen Current	-	-	-	-	-	33	30	ma.
D-C Grid Current	-	-	-	-	-	10	9	ma.
Screen Dissipation	-	-	-	-	-	11.5	10.5	watts
Grid Dissipation	-	-	-	-	-	1.6	1.4	watts
Peak A-F Screen Voltage, 100% Modulation	-	-	-	-	-	210	210	volts
Peak R-F Grid Input Voltage (approx.)	-	-	-	-	-	375	360	volts
Driving Power (approx.) ²	-	-	-	-	-	3.8	3.3	watts
Plate Power Input	-	-	-	-	-	300	380	watts
Plate Dissipation	-	-	-	-	-	75	80	watts
Plate Power Output	-	-	-	-	-	225	300	watts

AUDIO FREQUENCY POWER AMPLIFIER AND MODULATOR

Class-AB₂ (Sinusoidal wave, two tubes unless otherwise specified)

MAXIMUM RATINGS

D-C PLATE VOLTAGE	-	-	-	-	-	3000 MAX. VOLTS
D-C SCREEN VOLTAGE	-	-	-	-	-	400 MAX. VOLTS
MAX-SIGNAL D-C PLATE CURRENT, PER TUBE	-	-	-	-	-	225 MAX. MA.
PLATE DISSIPATION, PER TUBE	-	-	-	-	-	125 MAX. WATTS
SCREEN DISSIPATION, PER TUBE	-	-	-	-	-	20 MAX. WATTS

TYPICAL OPERATION

D-C Plate Voltage	-	-	-	-	1500	2000	2500	volts
D-C Screen Voltage	-	-	-	-	350	350	350	volts
D-C Grid Voltage	-	-	-	-	-41	-45	-43	volts
Zero-Signal D-C Plate Current	-	-	-	-	87	72	93	ma.
Max-Signal D-C Plate Current	-	-	-	-	400	300	260	ma.
Zero-Signal D-C Screen Current	-	-	-	-	0	0	0	ma.
Max-Signal D-C Screen Current	-	-	-	-	34	5	6	ma.
Effective Load, Plate-to-Plate	-	-	-	-	7200	13,600	22,200	ohms
Peak A-F Grid Input Voltage (per tube)	-	-	-	-	141	105	89	volts
Max-Signal Avg. Driving Power (approx.)	-	-	-	-	2.5	1.4	1	watts
Max-Signal Peak Driving Power	-	-	-	-	5.2	3.1	2.4	watts
Max-Signal Plate Dissipation (per tube)	-	-	-	-	125	125	122	watts
Max-Signal Plate Power Output	-	-	-	-	350	350	400	watts
Total Harmonic Distortion	-	-	-	-	2.5	1	2.2	per ct.

² The effective grid circuit resistance for each tube must not exceed 250,000 ohms.

►³ Driving power increases above 70 Mc. See Page Eight.

APPLICATION

MECHANICAL

Mounting—The 4-125A must be mounted vertically, base up or base down. The socket must provide clearance for the glass tip-off which extends through the center of the base. The metal base shell should be grounded by means of suitable spring fingers. A flexible connecting strap should be provided between the plate terminal and the external plate circuit. The socket must not apply excessive lateral pressure against the base pins. The tube must be protected from severe vibration and shock.

Cooling—Adequate cooling must be provided for the seals and envelope of the 4-125A. In continuous-service applications, the temperature of the plate seal, as measured on the top of the plate cap, should not exceed 170° C. A relatively slow movement of air past the tube is sufficient to prevent seal temperatures in excess of maximum at frequencies below 30 Mc. At frequencies above 30 Mc., radio-frequency losses in the leads and envelope contribute to seal and envelope heating, and special attention should be given to cooling. A small fan or centrifugal blower directed toward the upper portion of the envelope will usually provide sufficient circulation for cooling at frequencies above 30 Mc., however.

In intermittent-service applications where the "on" time does not exceed a total of five minutes in any ten-minute period, plate seal temperatures as high as 220° C. are permissible. When the ambient temperature does not exceed 30° C. it will not ordinarily be necessary to provide forced cooling to hold the temperature below this maximum at frequencies below 30 Mc., provided that a heat-dissipating plate connector is used, and the tube is so located that normal circulation of air past the envelope is not impeded.

Provision must be made for circulation of air through the base of the tube. Where shielding or socket design makes it impossible to allow free circulation of air through the base, it will be necessary to apply forced-air cooling to the stem structure. An air flow of two cubic feet per minute through the base will be sufficient for stem cooling.

ELECTRICAL

Filament Voltage—For maximum tube life the filament voltage, as measured directly at the filament pins, should be the rated value of 5.0 volts. Unavoidable variations in filament voltage must be kept within the range from 4.75 to 5.25 volts.

Bias Voltage—D-c bias voltage for the 4-125A should not exceed 500 volts. If grid-leak bias is used, suitable protective means must be provided to prevent excessive plate or screen dissipation in the event of loss of excitation.

Screen Voltage—The d-c screen voltage for the 4-125A should not exceed 400 volts, except for class-AB₁ audio operation.

Plate Voltage—The plate-supply voltage for the 4-125A should not exceed 3000 volts for frequencies below 120 Mc. The maximum permissible plate voltage is less than

3000 volts above 120 Mc., as shown by the graph on page 8.

Grid Dissipation—Grid dissipation for the 4-125A should not be allowed to exceed five watts. Grid dissipation may be calculated from the following expression:

$$P_g = e_{\text{emp}} I_c$$

where P_g = Grid dissipation,

e_{emp} = Peak positive grid voltage, and

I_c = D-c grid current.

e_{emp} may be measured by means of a suitable peak voltmeter connected between filament and grid³.

Screen Dissipation—The power dissipated by the screen of the 4-125A must not exceed 20 watts. Screen dissipation is likely to rise to excessive values when the plate voltage, bias voltage or plate load are removed with filament and screen voltages applied. Suitable protective means must be provided to limit screen dissipation to 20 watts in the event of circuit failure.

Plate Dissipation—Under normal operating conditions, the plate dissipation of the 4-125A should not be allowed to exceed 125 watts in unmodulated applications.

In high-level-modulated amplifier applications, the maximum allowable carrier-condition plate dissipation is 85 watts. The plate dissipation will rise to 125 watts under 100% sinusoidal modulation.

Plate dissipation in excess of the maximum rating is permissible for short periods of time, such as during tuning procedures.

OPERATION

Class-C Telegraphy or FM Telephony—The 4-125A may be operated as a class-C telegraph or FM telephone amplifier without neutralization up to 100 Mc. if reasonable precautions are taken to prevent coupling between input and output circuits external to the tube. A grounded metallic plate on which the socket may be mounted and to which suitable connectors may be attached to ground the tube base shell provides an effective isolating shield between grid and plate circuits. In single-ended circuits, plate, grid, filament and screen by-pass capacitors should be returned through the shortest possible leads to a common chassis point. In push-pull applications the filament and screen terminals of each tube should be by-passed to a common chassis point by the shortest possible leads, and short, heavy leads should be used to interconnect the screens and filaments of the two tubes. Care should be taken to prevent leakage of radio-frequency energy to leads entering the amplifier, to prevent grid-plate coupling between these leads external to the amplifier.

Above 100 Mc., or at lower frequencies if shielding is inadequate, it is necessary to neutralize the 4-125A in ordinary applications.

Where shielding is adequate, the feed-back at frequencies above 100 Mc. is due principally to screen-lead-inductance effects, and it becomes necessary to introduce

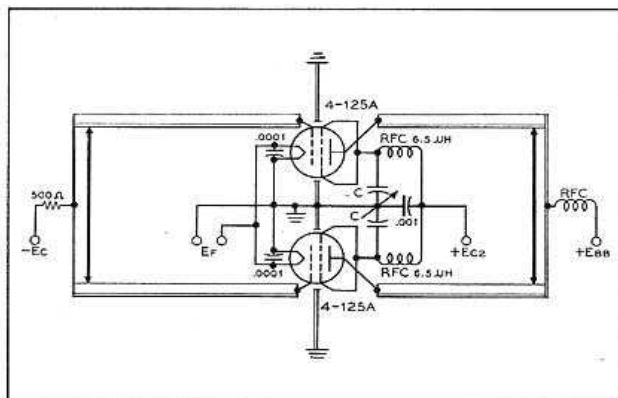
³ For suitable peak v.t.v.m. circuits see, for instance, "Vacuum Tube Ratings," Eimac News, January, 1945. This article is available in reprint form on request.

in-phase voltage from the plate circuit into the grid circuit. This can be done by adding capacitance between plate and grid external to the tube. Ordinarily, a small metal tab approximately 3/4-inch square connected to the grid terminal and located adjacent to the envelope opposite the plate will suffice for neutralization. Means should be provided for adjusting the spacing between the neutralizing capacitor plate and the envelope, but care must be taken to prevent the neutralizing plate from touching the envelope. An alternative neutralization scheme is illustrated in the diagram below. In this circuit feed-back is eliminated by series-tuning the screen to ground with a small capacitor. The socket screen terminals should be strapped together, as shown on the dia-

use of silver-plated linear tank-circuit elements is recommended at frequencies above 100 Mc.

Conventional capacitance-shortened quarter-wave linear grid tank circuits having a calculated Z_0 of 160 ohms or less may be used with the 4-125A up to 175 Mc. Above 175 Mc. linear grid tank circuits employing a "capacitor"-type shorting bar, as illustrated in the diagram below, may be used. The capacitor, C_1 , may consist of two silver-plated brass plates one inch square with a piece of .010-inch mica or polystyrene as insulation.

Class-C AM Telephony—The r-f circuit considerations discussed above under Class-C Telegraphy or FM Telephony also apply to amplitude-modulated operation of the 4-125A. When the 4-125A is used as a class-C high-level-

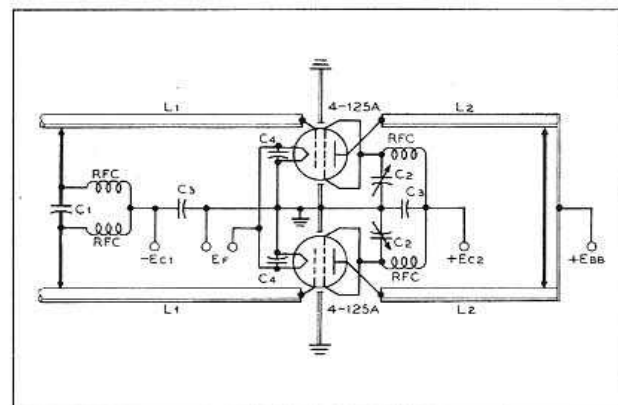


Screen-tuning neutralization circuit for use above 100 Mc.
C is a small split-stator capacitor.
 $C_{\text{uufd}} = \frac{640,000}{f^2 (\text{Mc.})}$, approx.

gram, by the shortest possible lead, and the leads from the screen terminal to the capacitor, C, and from the capacitor to ground should be made as short as possible. All connections to the screen terminals should be made to the center of the strap between the terminals, in order to equalize the current in the two screen leads and prevent overheating one of them. The value for C given under the diagram presupposes the use of the shortest possible leads.

At frequencies below 100 Mc., and where shielding is inadequate, ordinary neutralization systems may be used. With reasonably effective shielding, however, neutralization should not be required below 100 Mc.

The driving power and power output under typical operating conditions, with maximum output and plate voltage, are shown on page 8. The power output shown is the actual plate power delivered by the tube; the power delivered to the load will depend upon the efficiency of the plate tank and output coupling system. The driving power is likewise the driving power required by the tube (includes bias loss). The driver output power should exceed the driving power requirement by a sufficient margin to allow for coupling-circuit losses. These losses will not ordinarily amount to more than 30 or 40 per cent of the driving power, except at frequencies above 150 Mc. The



Typical circuit arrangement useful for frequencies above 175 Mc.

- C_1 —See above.
- C_2 —Neutralizing capacitor.
- C_3 —0.01 ufd.
- C_4 —100 uufd.
- L_1 —3/8" dia. copper spaced, 1" center-to-center, 6" long.
- L_2 —7/8" dia. brass, silver plated, spaced 1/2" center-to-center, 14" long.

modulated amplifier, modulation should be applied to both plate and screen. Modulation voltage for the screen may be obtained from a separate winding on the modulation transformer, by supplying the screen voltage via a series dropping resistor from the unmodulated plate supply, or by the use of an audio-frequency reactor in the positive screen-supply lead. When screen modulation is obtained by either the series-resistor or the audio-reactor method, the audio-frequency variations in screen current which result from variations in plate voltage as the plate is modulated automatically give the required screen modulation. Where a reactor is used, it should have a rated inductance of not less than 10 henries divided by the number of tubes in the modulated amplifier and a maximum current rating of two or three times the operating d-c screen current. To prevent phase shift between the screen and plate modulation voltages at high audio frequencies, the screen by-pass capacitor should be no larger than necessary for adequate r-f by-passing. Where screen voltage is obtained from a separate winding on the modulation transformer, the screen winding should be designed to deliver the peak screen modulation voltage given in the typical operating data on page 1.

For high-level modulated service, the use of partial grid-leak bias is recommended. Any by-pass capacitors placed across the grid-leak resistance should have a reactance at the highest modulation frequency equal to at least twice the grid-leak resistance.

Class-AB₁ and Class-AB₂ Audio—Two 4-125A's may be used in a push-pull circuit to give relatively high audio output power at low distortion. Maximum ratings and typical operating conditions for class-AB₁ and class-AB₂ audio operation are given in the tabulated data.

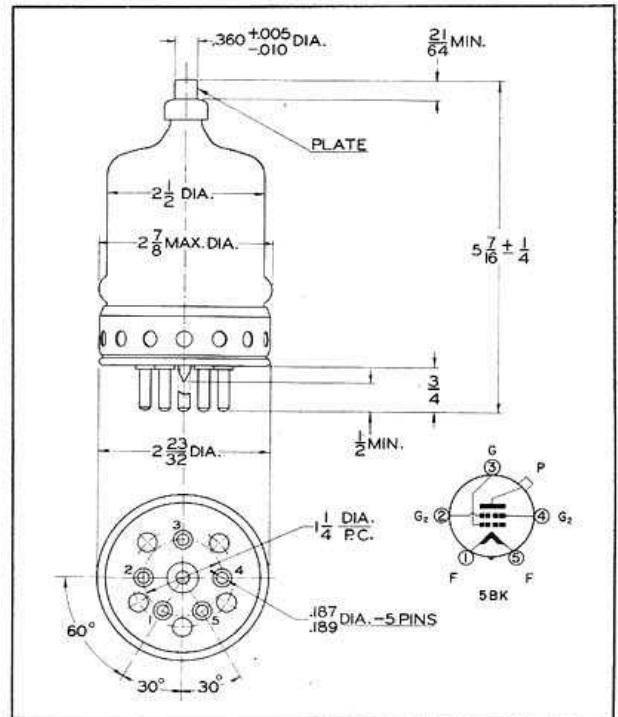
When type 4-125A tubes are used as class-AB₁ or class-AB₂ audio amplifiers at 1500 plate volts, under the conditions given under "Typical Operation," the screen voltage must be obtained from a source having reasonably good regulation, to prevent variations in screen voltage from zero-signal to maximum-signal conditions. The use of voltage regulator tubes in a standard circuit will provide adequate regulation. The variation in screen current at plate voltages of 2000 and above is low enough so that any screen power supply having a normal order of regulation will serve. The driver plate supply makes a convenient source of screen voltage under these conditions.

Grid bias voltage for class-AB₂ service may be obtained from batteries or from a small fixed-bias supply. When a bias supply is used, the d-c resistance of the bias source should not exceed 250 ohms. Under class-AB₁ conditions the effective grid-circuit resistance for each tube should not exceed 250,000 ohms.

The peak driving power figures given in the class-AB₂ tabulated data are included to make possible an accurate determination of the required driver output power. The driving amplifier must be capable of supplying the peak driving power without distortion. The driver stage should, therefore, be capable of providing an undistorted average output equal to half the peak driving power require-

ment. A small amount of additional driver output should be provided to allow for losses in the coupling transformer.

The power output figures given in the tabulated data refer to the total power output from the amplifier tubes. The useful power output will be from 5 to 15 per cent less than the figures shown, due to losses in the output transformer.

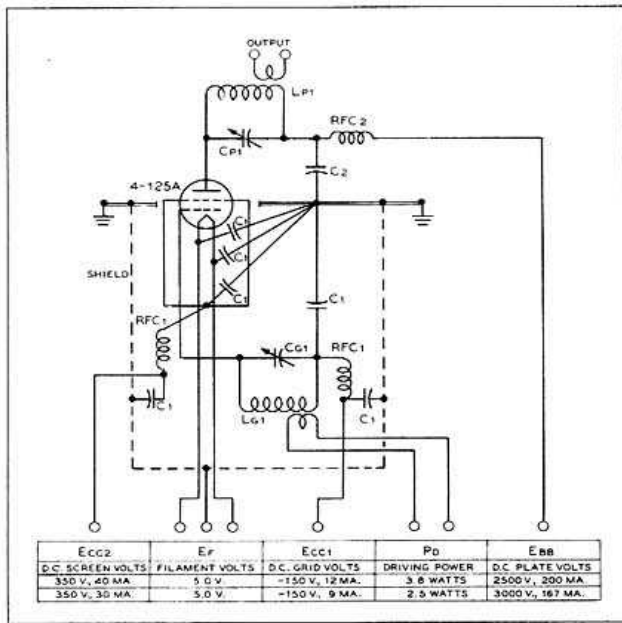


COMPONENTS FOR TYPICAL CIRCUITS

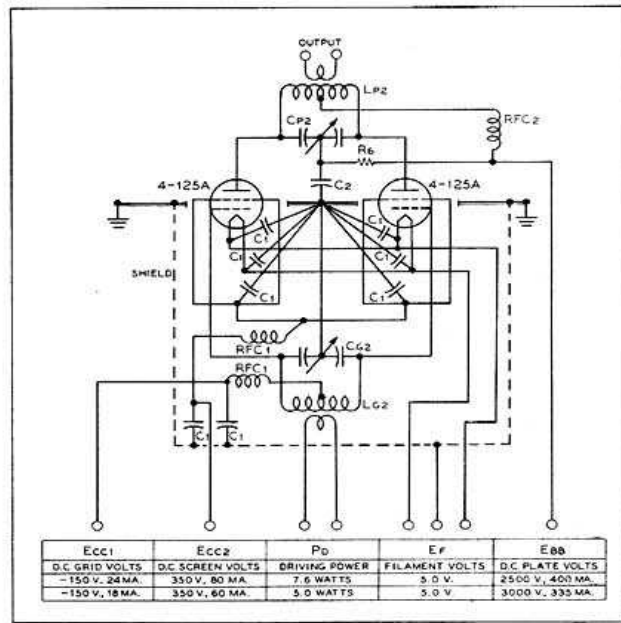
(Diagrams, Page 6)

- $L_{p1} - C_{p1}$ — Tank circuit appropriate for operating frequency; $Q = 12$. Capacitor plate spacing = .200".
- $L_{p2} - C_{p2}$ — Tank circuit appropriate for operating frequency; $Q = 12$. Capacitor plate spacing = .200".
- $L_{p3} - C_{p3}$ — Tank circuit appropriate for operating frequency; $Q = 12$. Capacitor plate spacing = .375".
- $L_{p4} - C_{p4}$ — Tank circuit appropriate for operating frequency; $Q = 12$. Capacitor plate spacing = .375".
- $L_{g1} - C_{g1}$ — Tuned circuit appropriate for operating frequency.
- $L_{g2} - C_{g2}$ — Tuned circuit appropriate for operating frequency.
- C_1 — .002-ufd., 500-v. mica
- C_2 — .002-ufd., 5000-v. mica
- C_3 — .001-ufd., 2500-v. mica
- C_4 — 16-ufd., 450-v. electrolytic
- C_5 — 10-ufd., 25-v. electrolytic
- R_1 — 7000 ohms, 5 watts

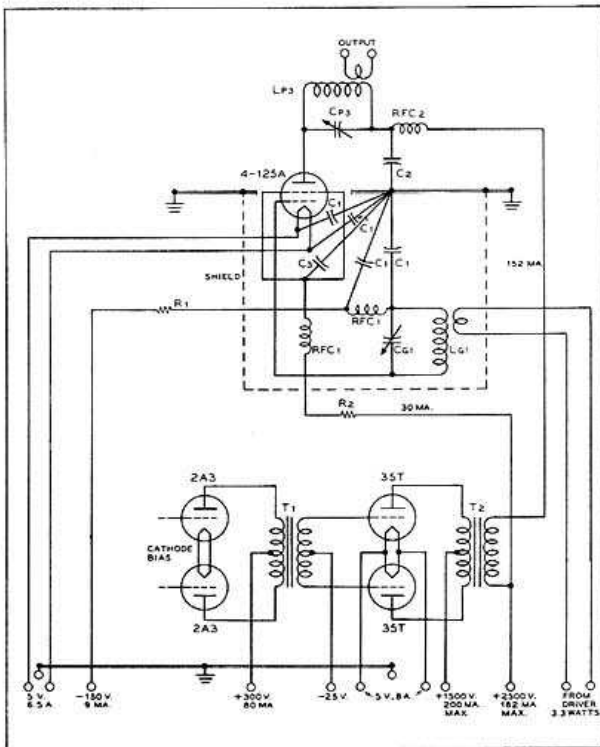
- R_2 — 70,000 ohms, 100 watts
- R_3 — 3500 ohms, 5 watts
- R_4 — 35,000 ohms, 200 watts
- R_5 — 560 ohms, 1 watt
- R_6 — 25,000 ohms, 2 watts
- R_7 — 1500 ohms, 5 watts
- RFC_1 — 2.5-mhy., 125-ma. r-f choke
- RFC_2 — 1-mhy., 500-ma. r-f choke
- T_1 — 10-watt driver transformer; ratio pri. to 1/2 sec. approx. 2:1.
- T_2 — 200-watt modulation transformer; ratio pri. to sec. approx. 1:1; pri. impedance = 16,200 ohms, sec. impedance = 16,500 ohms.
- T_3 — 5-watt driver transformer; ratio pri. to 1/2 sec. approx. 1.1:1.
- T_4 — 400-watt modulation transformer; ratio pri. to sec. approx. 2.7:1; pri. impedance = 22,200 ohms, sec. impedance = 8300 ohms.



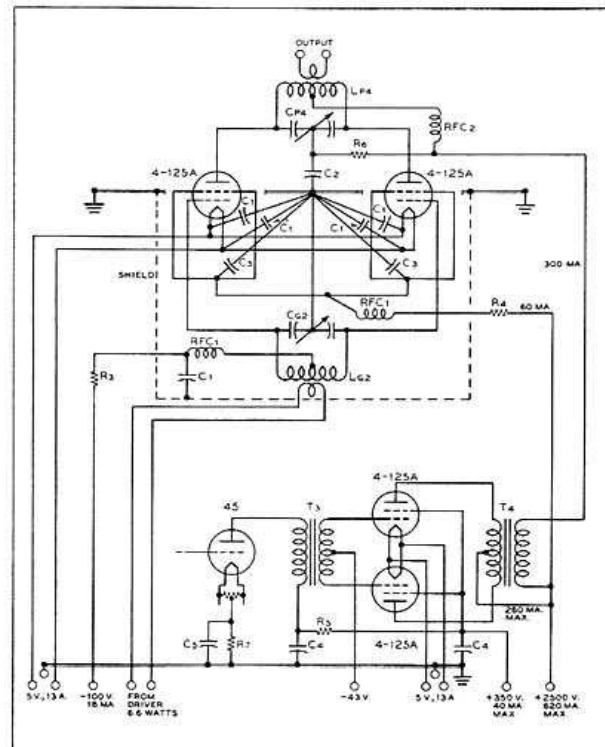
Typical radio-frequency power amplifier circuit, Class-C telegraphy, 500 watts input.



Typical radio-frequency power amplifier circuit, Class-C telegraphy, 1000 watts input.



Typical high-level-modulated r-f amplifier circuit, with modulator and driver stages, 380 watts plate input.



Typical high-level-modulated r-f amplifier circuit, with modulator and driver stages, 750 watts plate input.

SEE PRECEDING PAGE FOR LIST OF COMPONENTS

